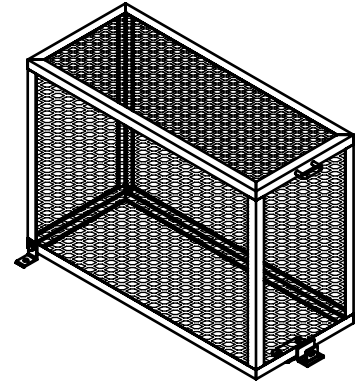
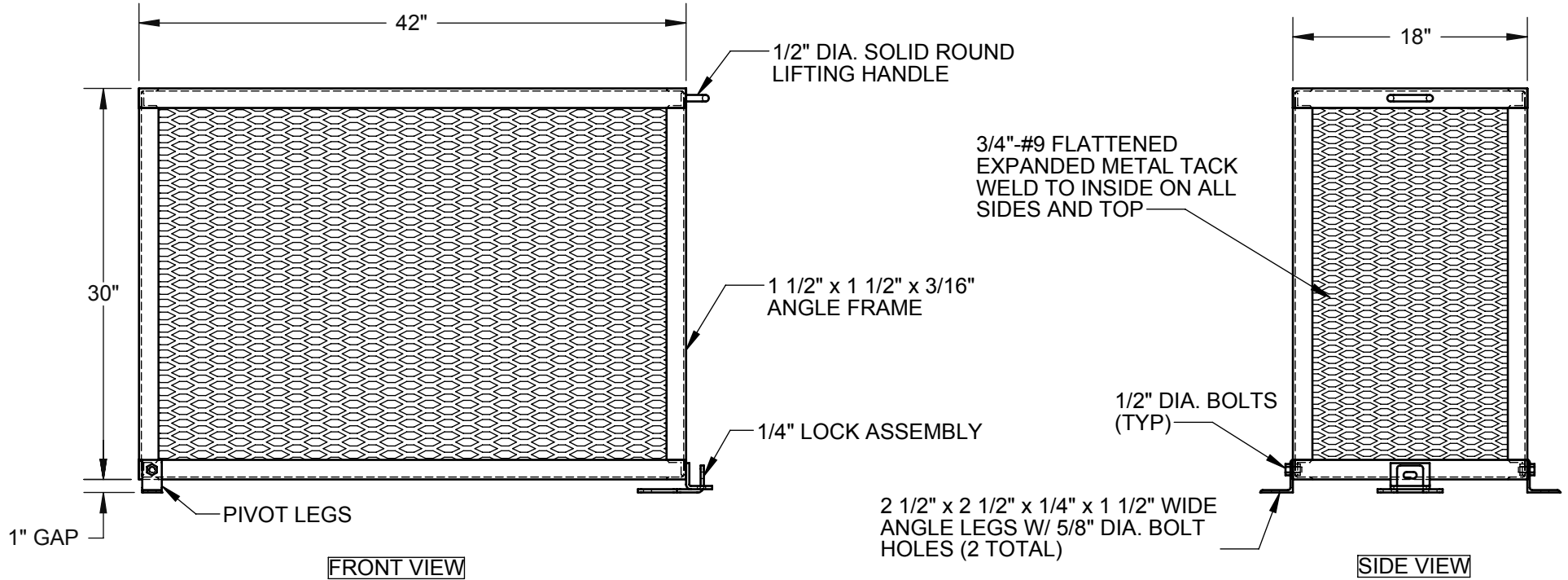


CUSTOM FABRICATED ITEM
 ITEM IS NON-RETURNABLE
 AND CANNOT BE CANCELED
 ONCE PLACED INTO PRODUCTION.



ISOMETRIC VIEW

X _____
 APPROVED BY
 DATE: _____



NOTES:
 POWDER COAT HUNTER GREEN AFTER FABRICATION.

DO NOT SCALE DRAWING	DRAWN: MENERA	TITLE: 1 1/2" & 2" VALVE BACKFLOW ENCLOSURE	SCALE: 1:12
DIMENSIONS ARE IN INCHES	PART NO: BFE-200E		REV: A SHEET 1 OF 1