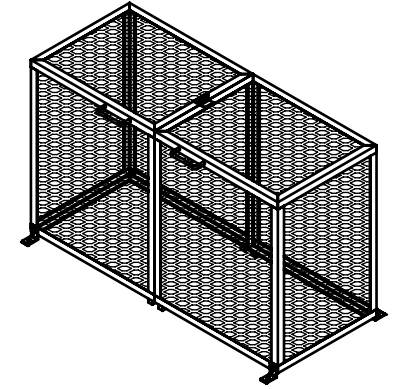
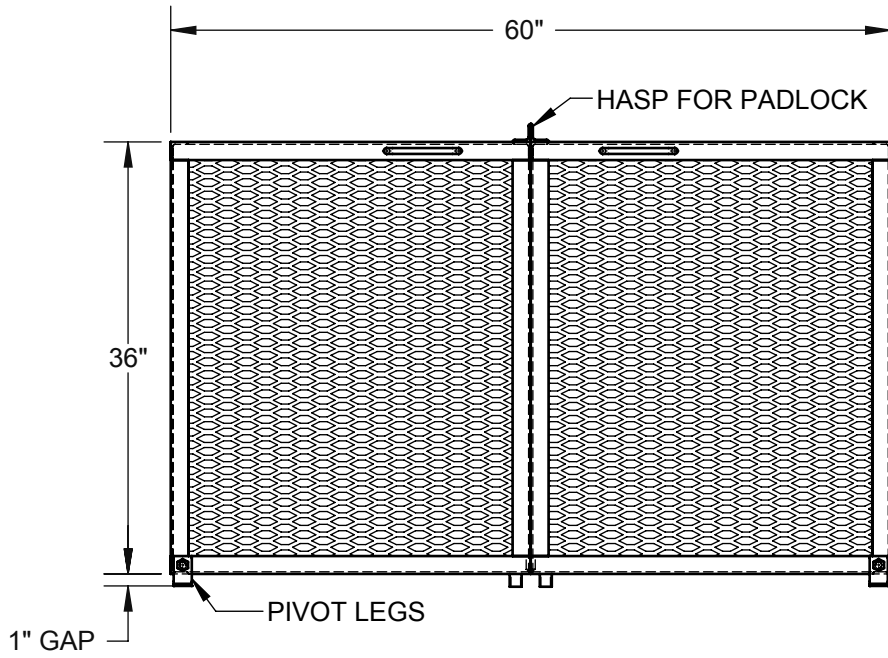


CUSTOM FABRICATED ITEM
 ITEM IS NON-RETURNABLE
 AND CANNOT BE CANCELED
 ONCE PLACED INTO PRODUCTION.

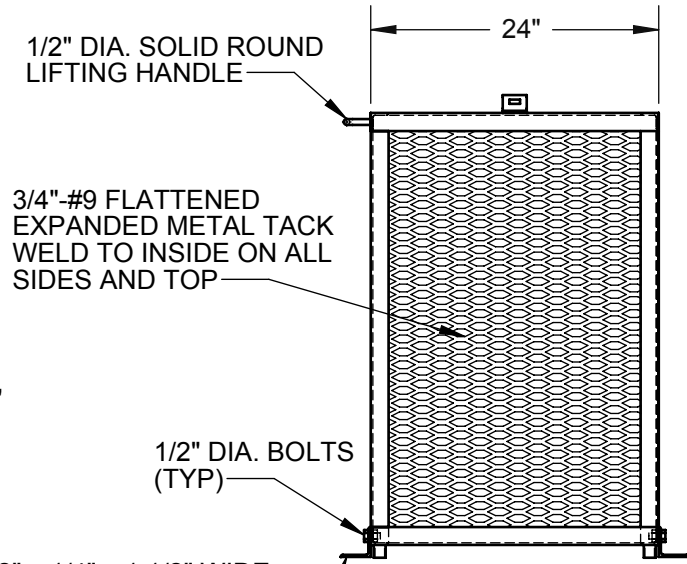


ISOMETRIC VIEW

X _____
 APPROVED BY
 DATE: _____



FRONT VIEW



SIDE VIEW

1 1/2" x 1 1/2" x 3/16"
 ANGLE FRAME

2 1/2" x 2 1/2" x 1/4" x 1 1/2" WIDE
 ANGLE LEGS W/ 5/8" DIA. BOLT
 HOLES (4 TOTAL)

NOTES:
 POWDER COAT HUNTER GREEN AFTER FABRICATION.

DO NOT SCALE DRAWING	DRAWN: MENERA	TITLE: 2 1/2" VALVE BACKFLOW ENCLOSURE	SCALE: 1:16
DIMENSIONS ARE IN INCHES	PART NO: BFE-250E	REV: A	SHEET 1 OF 1