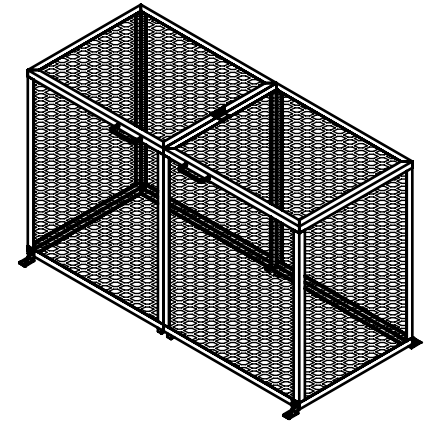
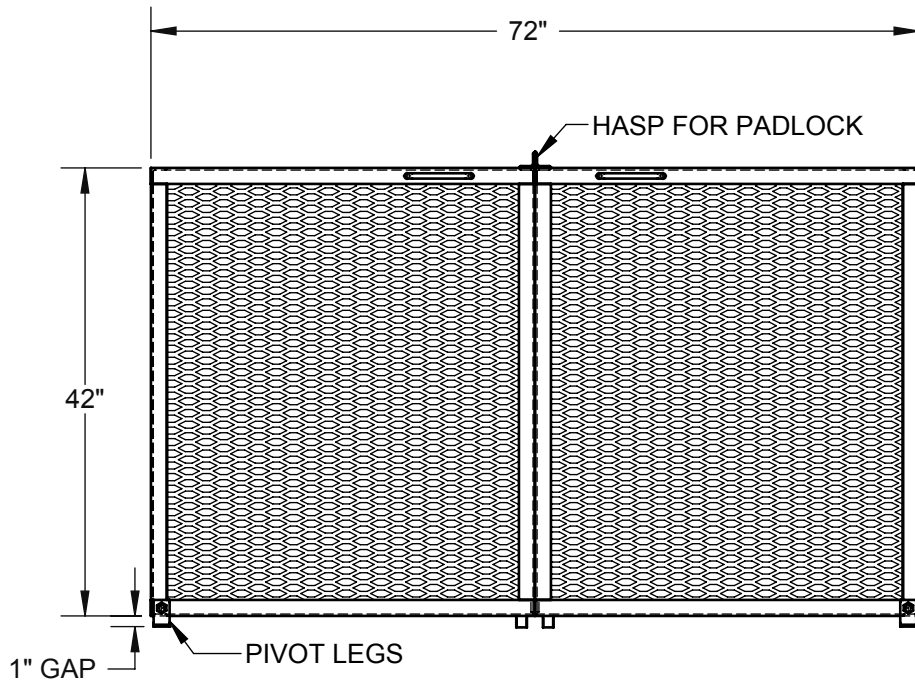


**CUSTOM FABRICATED ITEM**  
 ITEM IS NON-RETURNABLE  
 AND CANNOT BE CANCELED  
 ONCE PLACED INTO PRODUCTION.

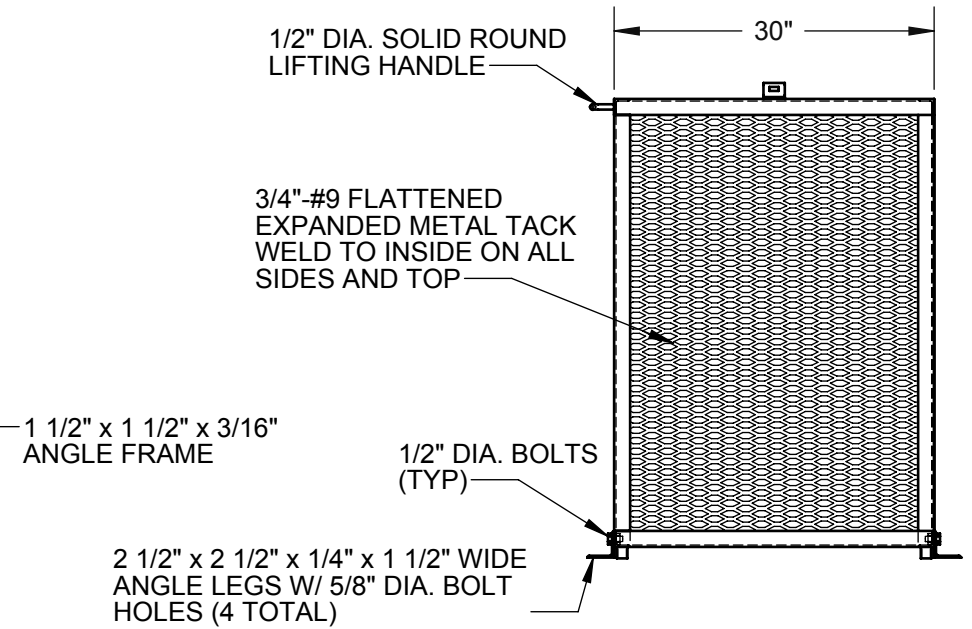


ISOMETRIC VIEW

X \_\_\_\_\_  
 APPROVED BY  
 DATE: \_\_\_\_\_



FRONT VIEW



SIDE VIEW

**NOTES:**  
 POWDER COAT HUNTER GREEN AFTER FABRICATION.

DO NOT SCALE DRAWING	DRAWN: MENERA	TITLE: 3" & 4" VALVE BACKFLOW ENCLOSURE	SCALE: 1:18
DIMENSIONS ARE IN INCHES	<b>PART NO: BFE-400E</b>	REV: A	SHEET 1 OF 1