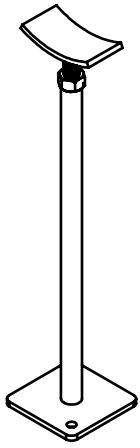


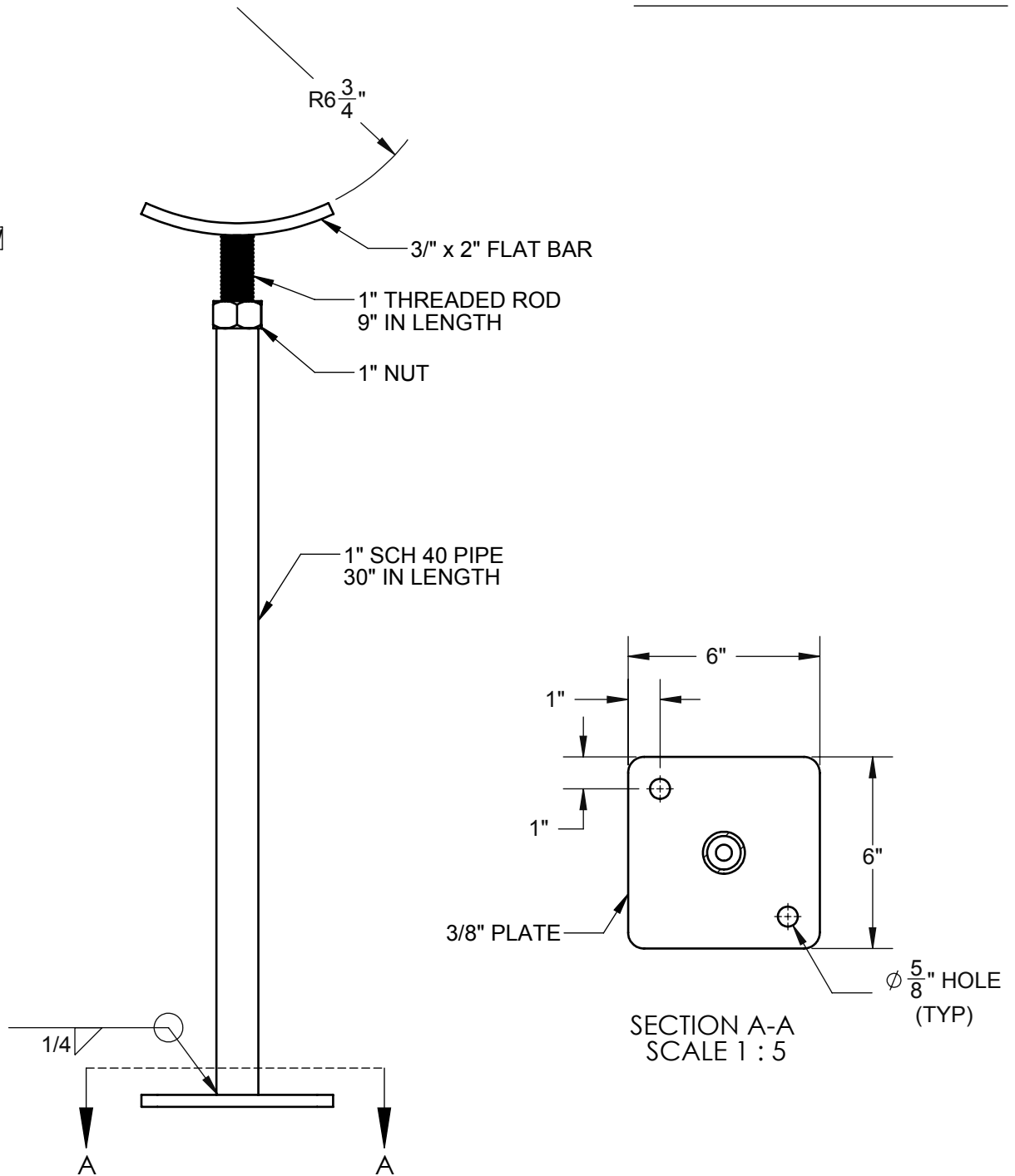
PIPELINE PRODUCTS

CUSTOM FABRICATED ITEM
 ITEM IS NON-RETURNABLE
 AND CANNOT BE CANCELED
 ONCE PLACED INTO PRODUCTION.

X _____ APPROVED BY
 DATE: _____



ISOMETRIC VIEW



NOTES:
 TO BE HOT-DIP GALVANIZED AFTER FABRICATION.

DO NOT SCALE DRAWING	TITLE: PIPE SUPPORT	W.O. #:	
DIMENSIONS ARE IN INCHES		DRAWN: MENERA	REV: A
PART NO: PS-100-S		SCALE: 1:8	SHEET 1 OF 1