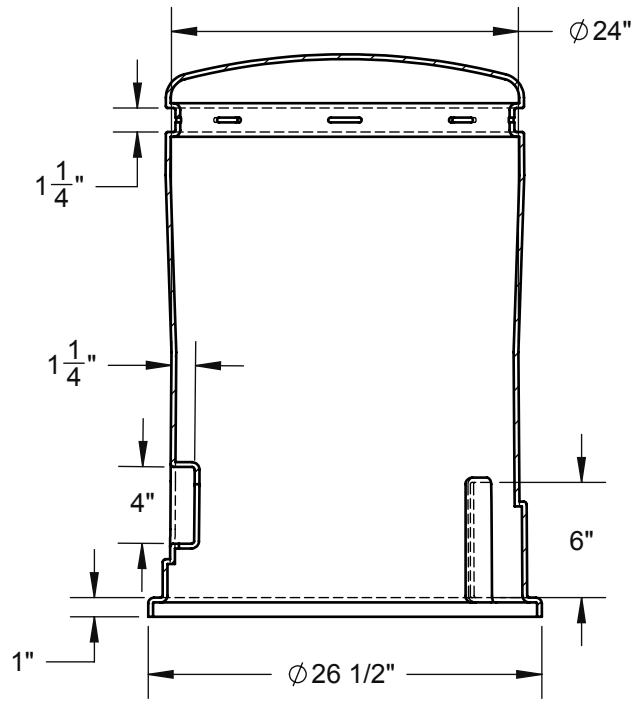
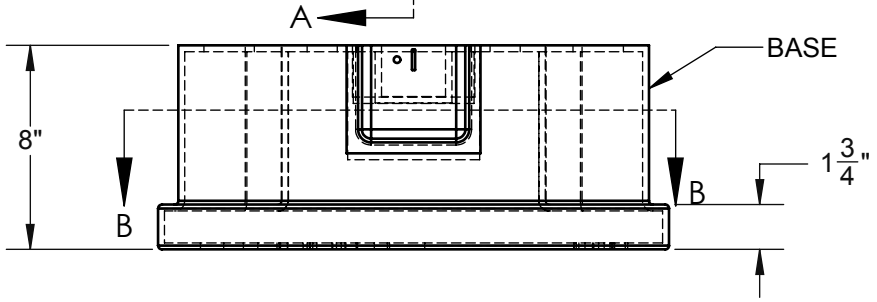
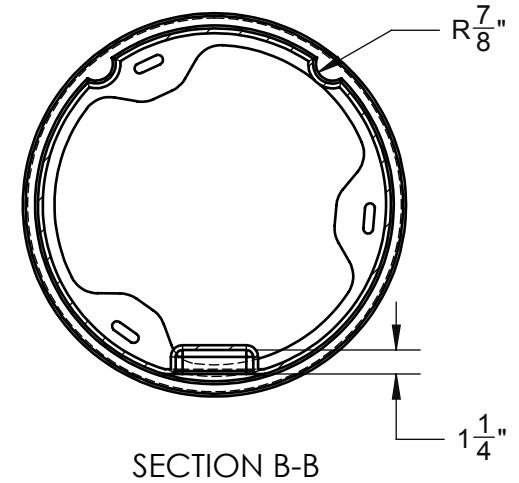
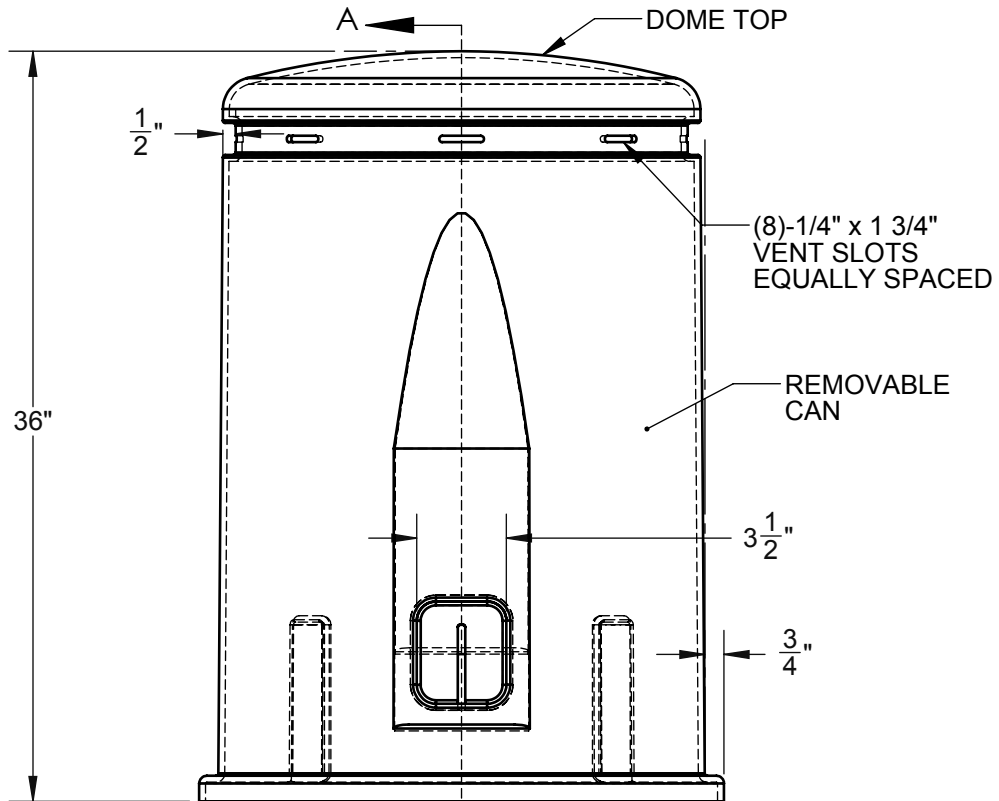


PIPELINE PRODUCTS



EXPLODED VIEW

SECTION A-A

NOTES:
COVER AND BASE TO BE MANUFACTURED FROM 3/16" WALL POLYETHYLENE WITH UV STABILIZERS.

DO NOT SCALE DRAWING	DRANW: MENERA	TITLE: POLYETHYLENE VALVE ENCLOSURE	REV: A	SCALE: NTS
DIMENSIONS ARE IN INCHES		PART NO: VCAS-2436		SHEET 1 OF 1