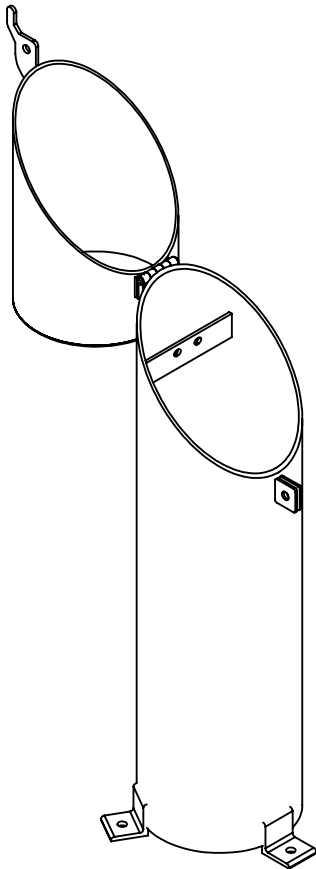
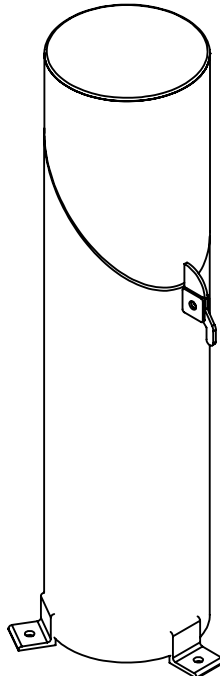


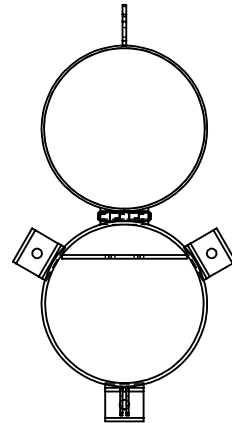
# PIPELINE PRODUCTS



**ISOMETRIC OPEN**

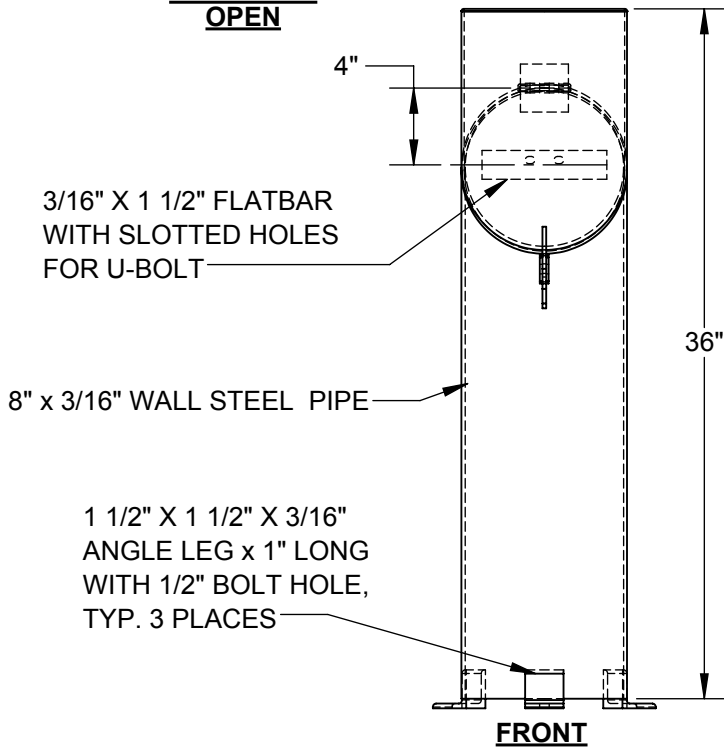


**ISOMETRIC CLOSED**

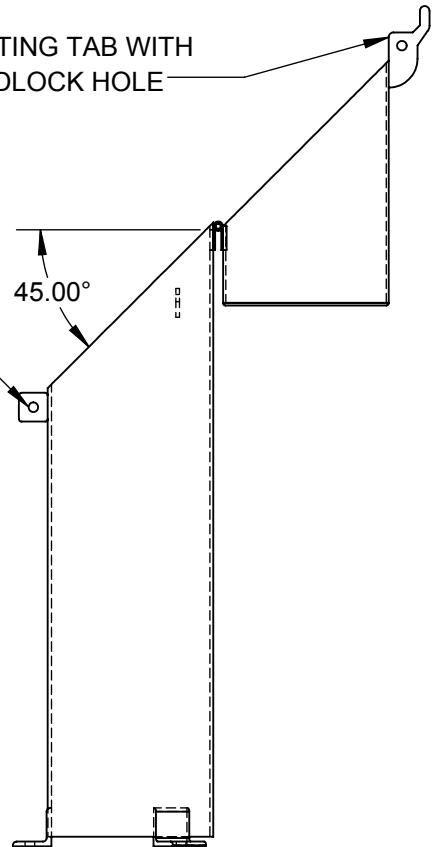


**TOP**

LIFTING TAB WITH PADLOCK HOLE



TABS FOR PADLOCK, TYP. 2



**NOTES:**

1. WTS-858 CAN BE SUPPLIED BARE, ZINC-PRIMER COATED, ZINC-PRIMER WITH COLOR COAT OR H.D. GALVANIZED.

DIMENSIONS ARE IN INCHES	WATER SAMPLE STATION PART NUMBER WTS-858	DRAWN: CHRIS	REV: A
DO NOT SCALE DRAWING		SCALE: NTS	SHEET 1 OF 1