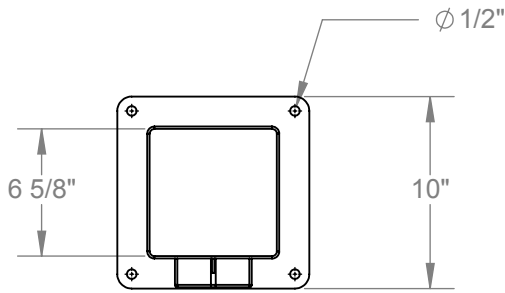


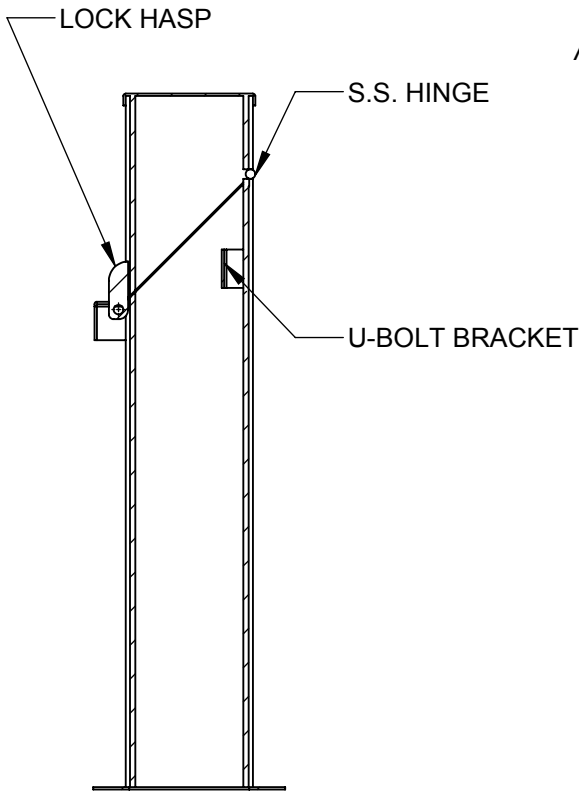
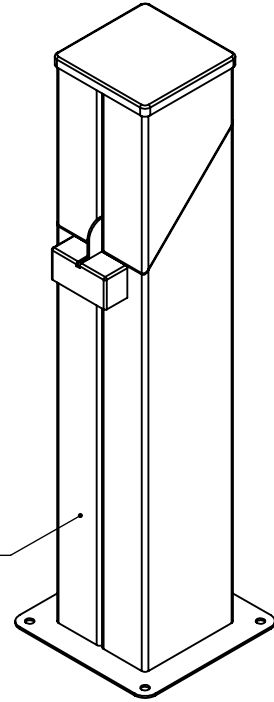
# PIPELINE PRODUCTS

**NOTES:**

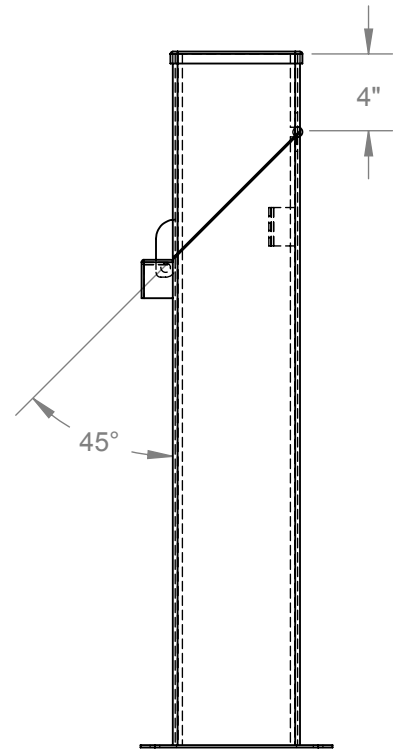
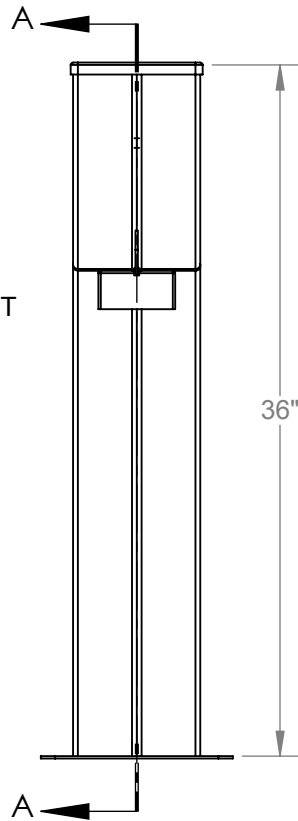
- 1) ALL MATERIALS TO BE TYPE 304/304L STAINLESS STEEL
- 2) 1.5" S.S. U-BOLT INCLUDED (NOT SHOWN)



16GA. TYPE 304 STAINLESS STEEL



SECTION A-A  
SCALE 1 : 10



DIMENSIONS ARE IN INCHES  
DO NOT SCALE DRAWING

6 5/8" SQUARE STAINLESS WATER SAMPLE STATION  
PART NUMBER  
WTSQ-658SS

DRW: JEFF

REV: A

SCALE:1:12

SHEET 1 OF 1