



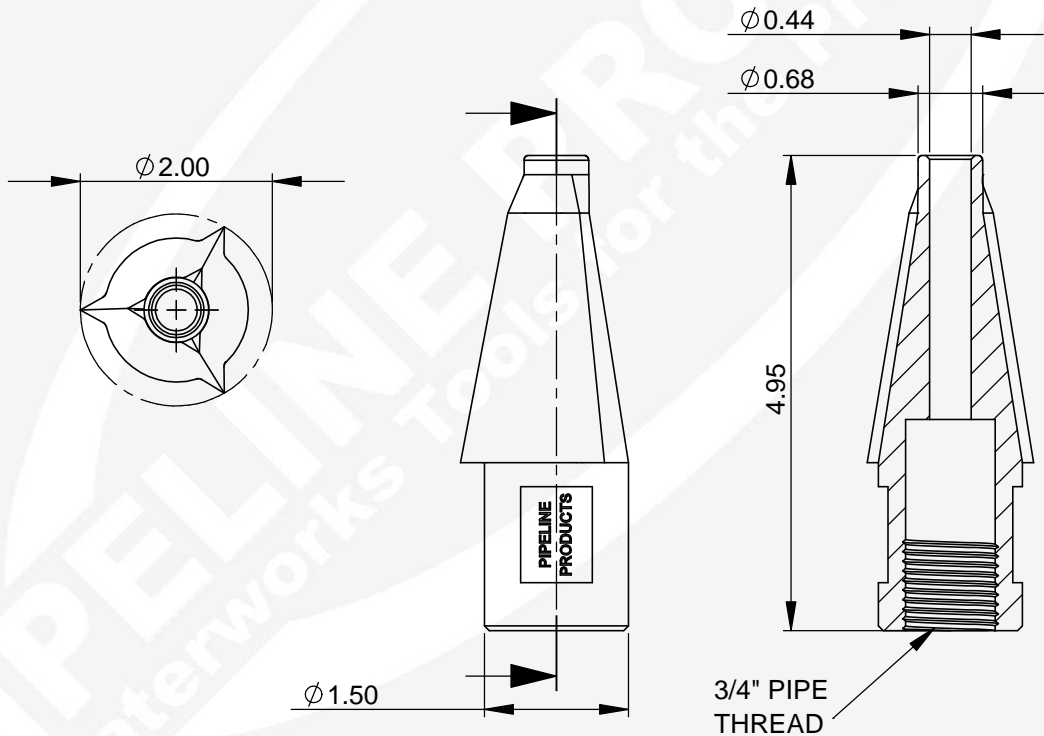
# CUTTERHEAD FOR 3/4" & 1" PIPE

PART NUMBER  
**WCH-500**

**Features:** Waterline replacement cutterhead for use on 3/4" or 1" pipe.

**Material:** Heat treated steel.

**Finish:** Zinc Plated.



**DIMENSIONS ARE IN INCHES | DO NOT SCALE DRAWING | DRW: OSBORNE | REV. A**