

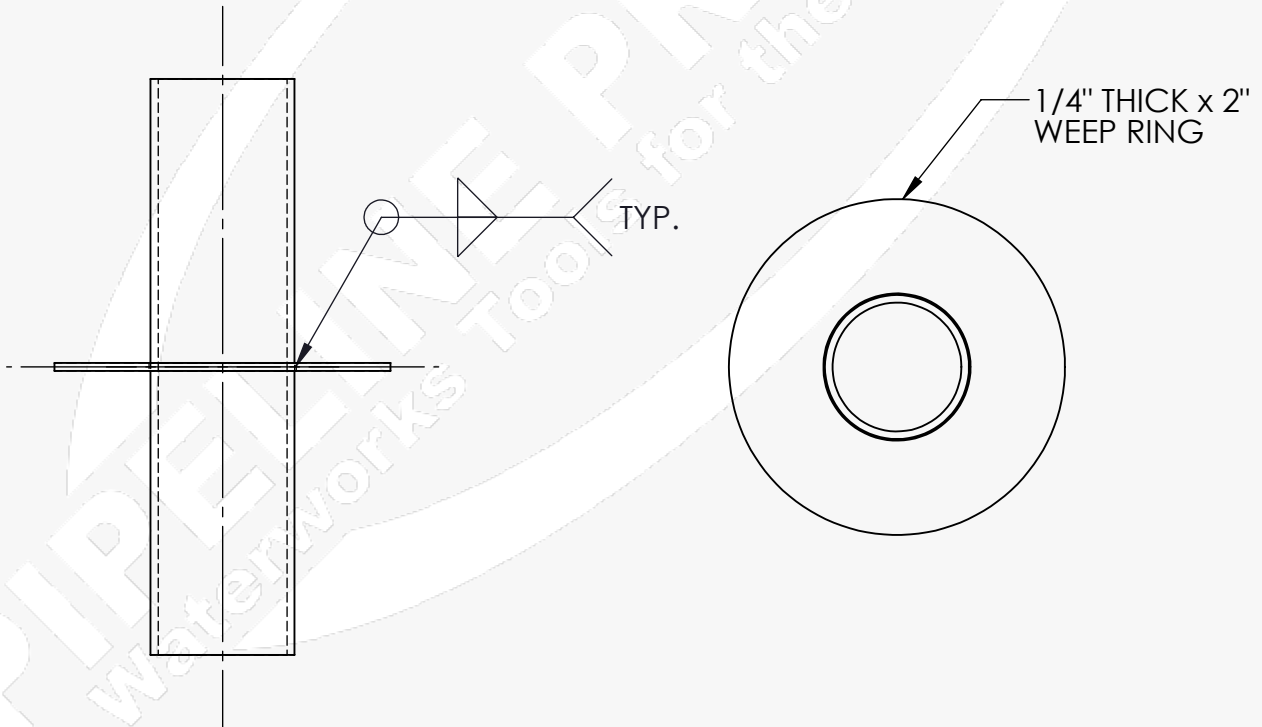
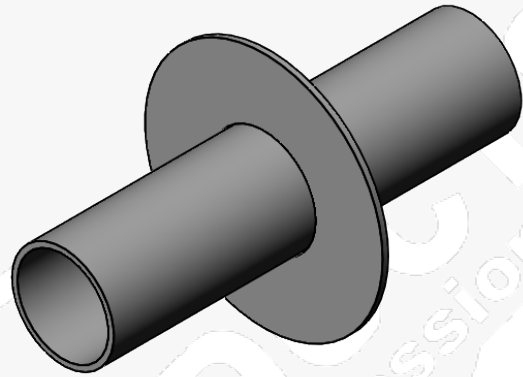


Wall Sleeves

Features: Pipeline Products provides built-to-order wall sleeves for wall penetrations and pass throughs. Our standard sleeves are 12" long with a 1/4" x 2" weep rings, but custom lengths, diameters and weep ring sizes can be built on demand.

Material: A53 SCH. 40 up to 10" pipe, 1/4" A36 mild steel for pipe above 10"

Finish: Hot dipped galvanized, polyester powdercoat available



DIMENSIONS ARE IN INCHES | DO NOT SCALE DRAWING | DRW: CC | REV. A