



Pipe Cart

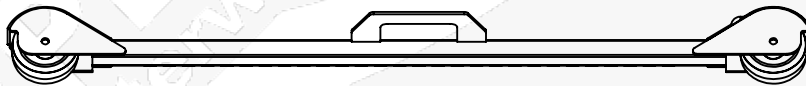
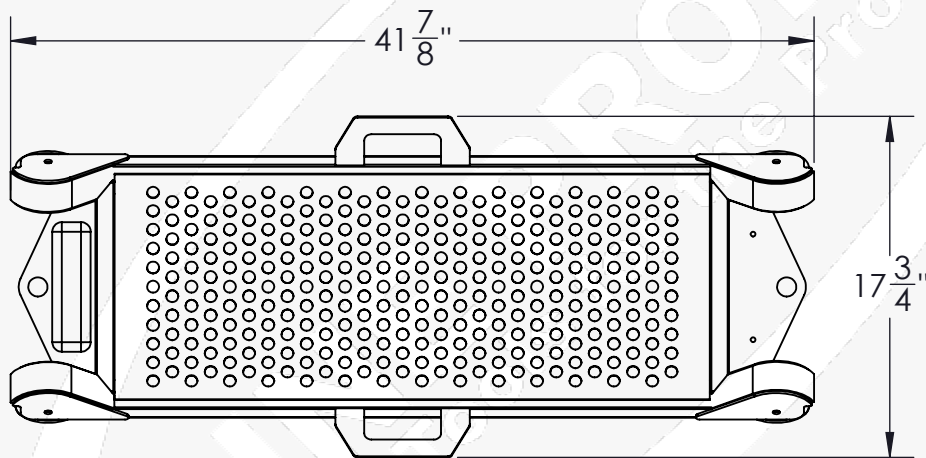
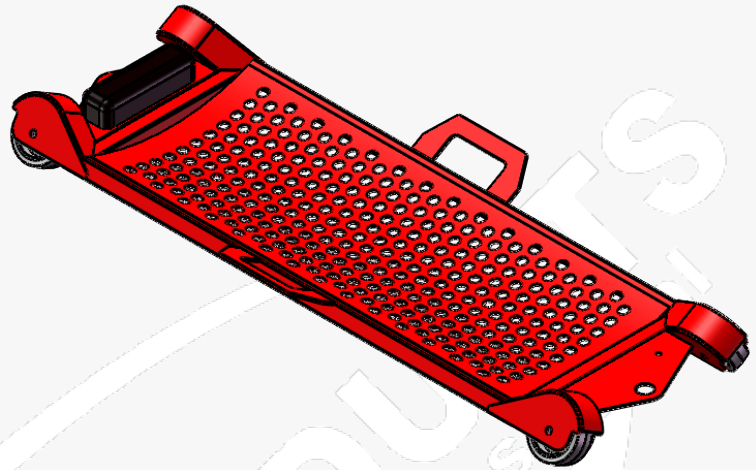
PART NUMBER
PC-1000

Features: For safe and easy access to inside of pipes.

Wheel fenders to keep clothes from getting caught.

Padded headrest for comfort.

Finish: Standard finish is a red powder coat.



DIMENSIONS ARE IN INCHES | DO NOT SCALE DRAWING | DRW: CC | REV. A