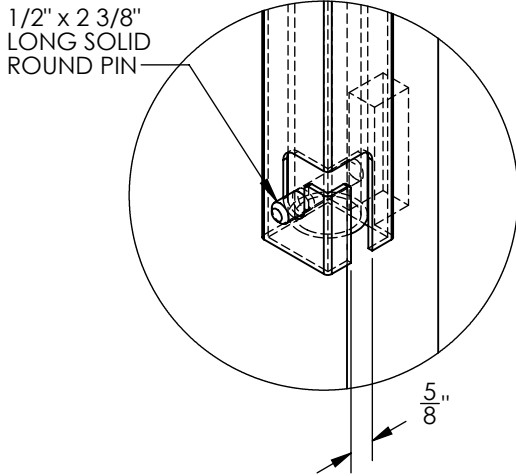


1 1/4" SCH. 40 x 84" LONG STEEL
PIPE HANDRAIL EXTENSIONS
SEE NOTE 2

2" x .120" WALL SQ. STEEL
EXTENSION SLEEVES
STANDARD LENGTH = 24"
MINIMUM LENGTH = 12"
SEE NOTE 2



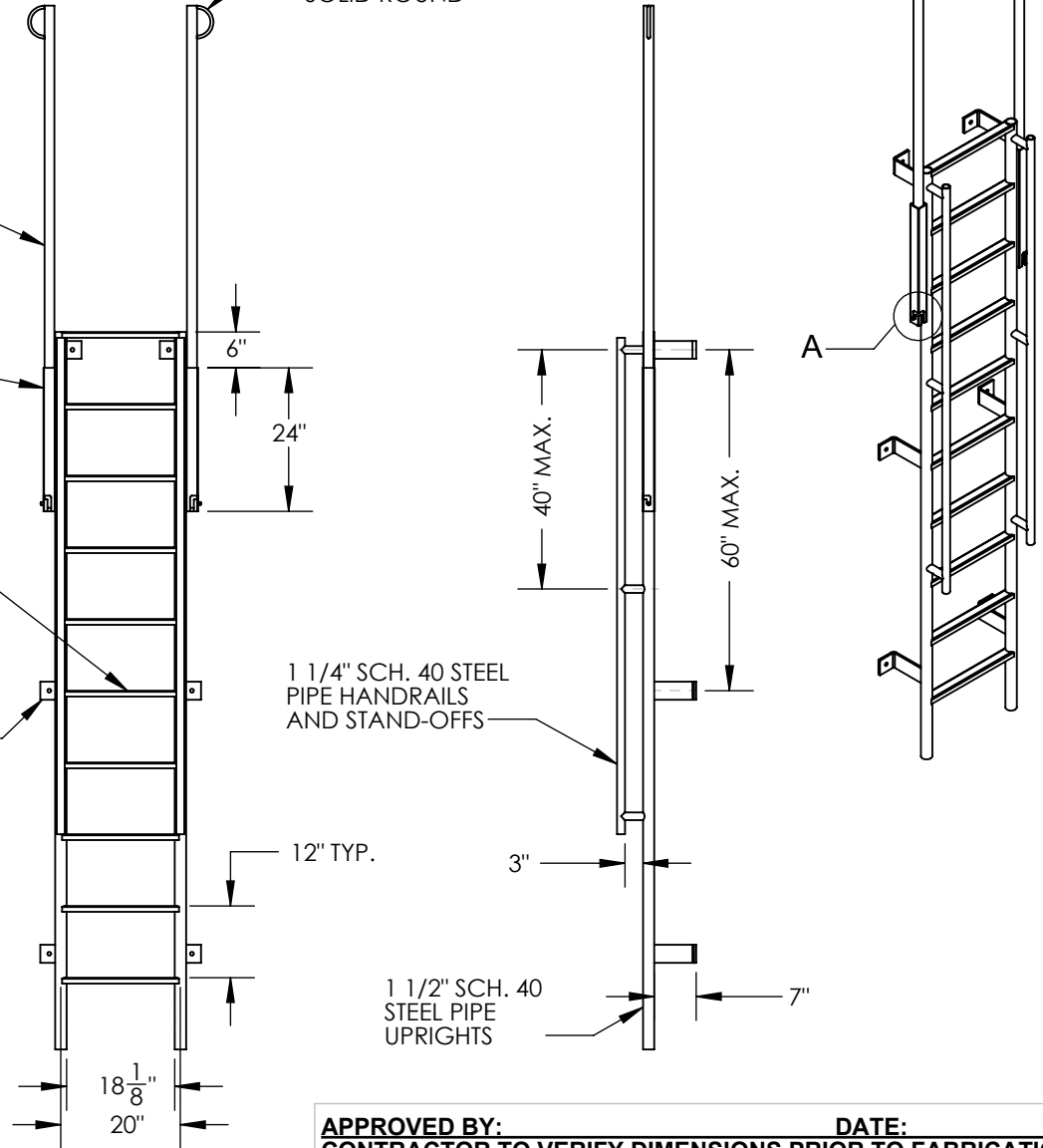
DIAMOND PLATE
CHANNEL RUNGS

ANCHOR BRACKET
SEE DETAIL ABOVE

1/2" x 4 1/2" I.D.
SOLID ROUND

1 1/4" SCH. 40 STEEL
PIPE HANDRAILS
AND STAND-OFFS

1 1/2" SCH. 40
STEEL PIPE
UPRIGHTS



A

APPROVED BY: _____ **DATE:** _____
CONTRACTOR TO VERIFY DIMENSIONS PRIOR TO FABRICATION

PROPRIETARY AND CONFIDENTIAL
THE INFORMATION CONTAINED IN THIS
DRAWING IS THE SOLE PROPERTY OF
PIPELINE PRODUCTS. ANY REPRODUCTION
IN PART OR AS A WHOLE WITHOUT THE
WRITTEN PERMISSION OF PIPELINE PRODUCTS
IS PROHIBITED.



UNLESS OTHERWISE SPECIFIED:
DIMENSIONS ARE IN INCHES
THRU HOLES: ±1/16"
TOLERANCES: ±.125
FRACTIONAL: ±1/8"
ANGULAR: MACH ±2° BEND ±2°
DO NOT SCALE DRAWING

REV:	DATE:	COMMENTS:

TITLE: VAULT LADDERS		PART NO: VL-100		DATE: 9/11/2017	
QUOTE:	PO#:	REF:			
PROJECT:		DRAWN BY:		WEIGHT: N/A	
FOR:	MAT:	QTY:	SCALE: NTS SHEET 1 OF 1		