



# VANDALGUARD®

PART NUMBER  
**VSG-100**

**Features:** Provides a cost effective steel protective cover for brass stems on most 4" through 10" OS&Y valves.

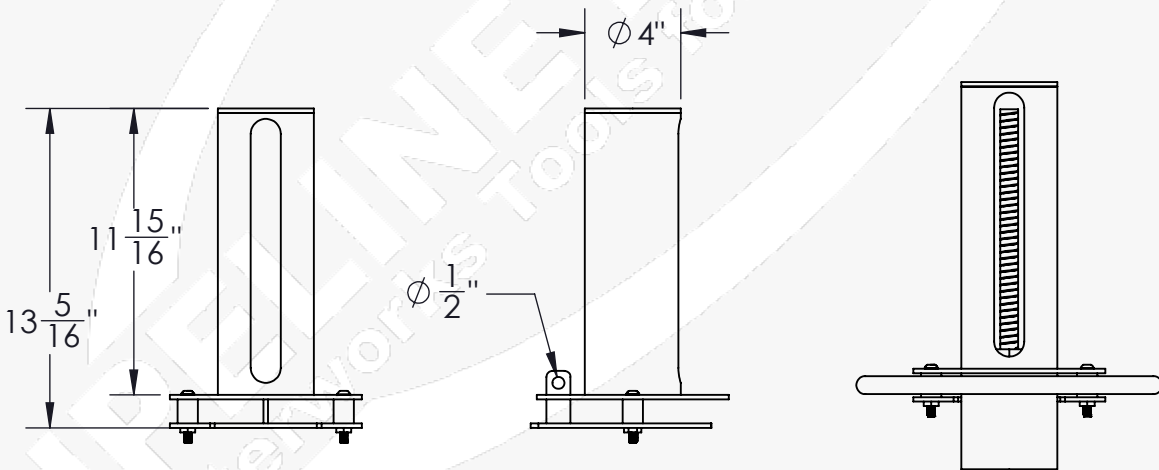
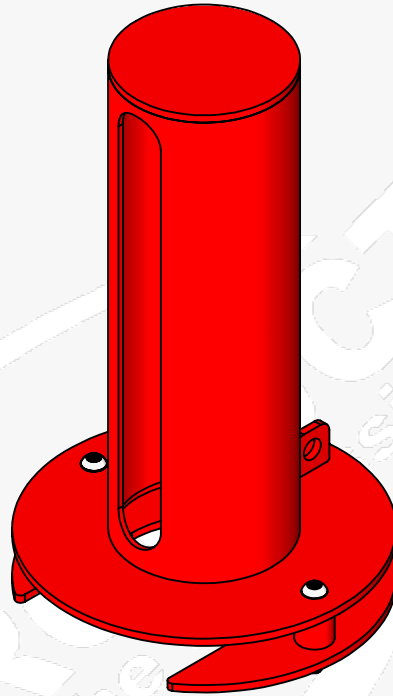
Opening to allow viewing of the valve stem position.

Built to last with fully welded housing, UV resistant powder coat and stainless security bolts for corrosion resistance.

Highly visible, conspicuous cover will ward off most thieves.

A Simple and economically designed product to avoid the high costs of rebuilding a large OS&Y valve.

**Finish:** Standard finish is Safety Red powder coat.



**INSTALLED EXAMPLE**

**DIMENSIONS ARE IN INCHES | DO NOT SCALE DRAWING | DRW:CC | REV. A**