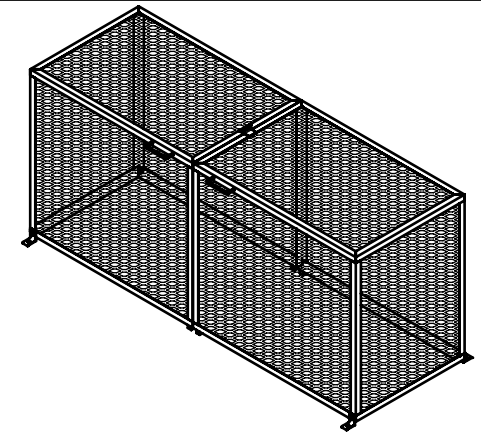
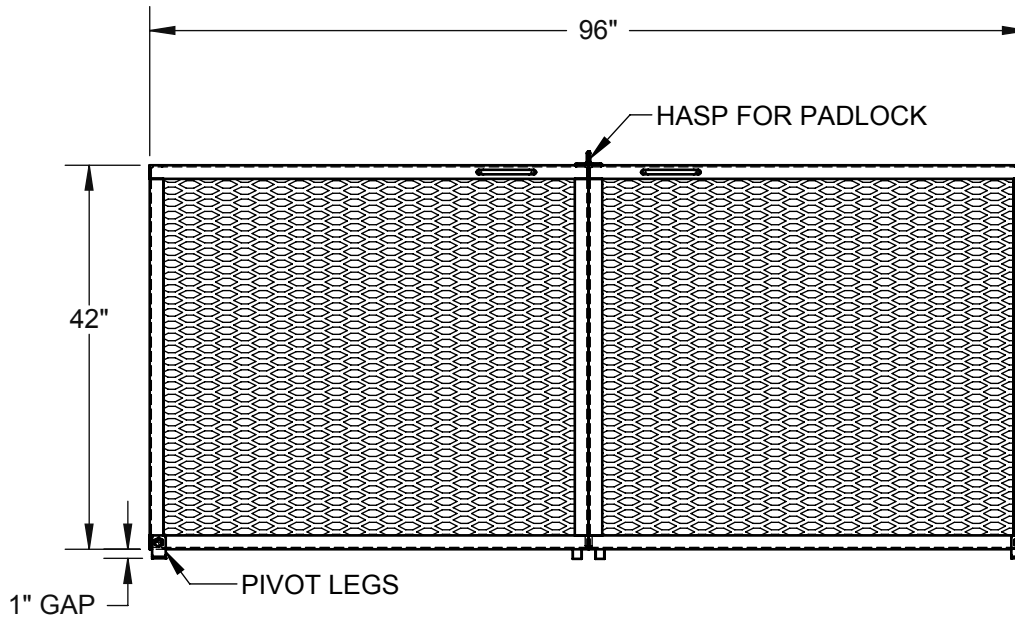


CUSTOM FABRICATED ITEM
 ITEM IS NON-RETURNABLE
 AND CANNOT BE CANCELED
 ONCE PLACED INTO PRODUCTION.

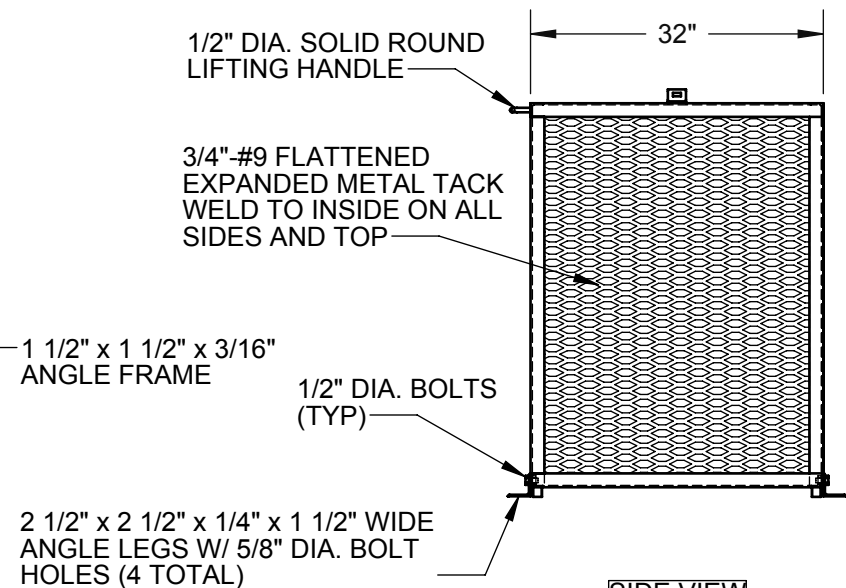


ISOMETRIC VIEW

X _____
 APPROVED BY
 DATE: _____



FRONT VIEW



SIDE VIEW

NOTES:
 POWDER COAT HUNTER GREEN AFTER FABRICATION.

DO NOT SCALE DRAWING	DRAWN: MENERA	TITLE: 8" VALVE BACKFLOW ENCLOSURE	SCALE: 1:22
DIMENSIONS ARE IN INCHES	PART NO: BFE-800E	REV: A	SHEET 1 OF 1