

Features: Economical steel support for pipes, valves or backflow prevention devices.

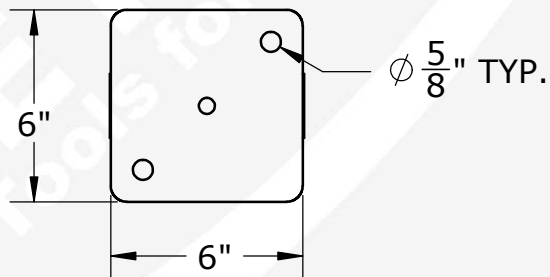
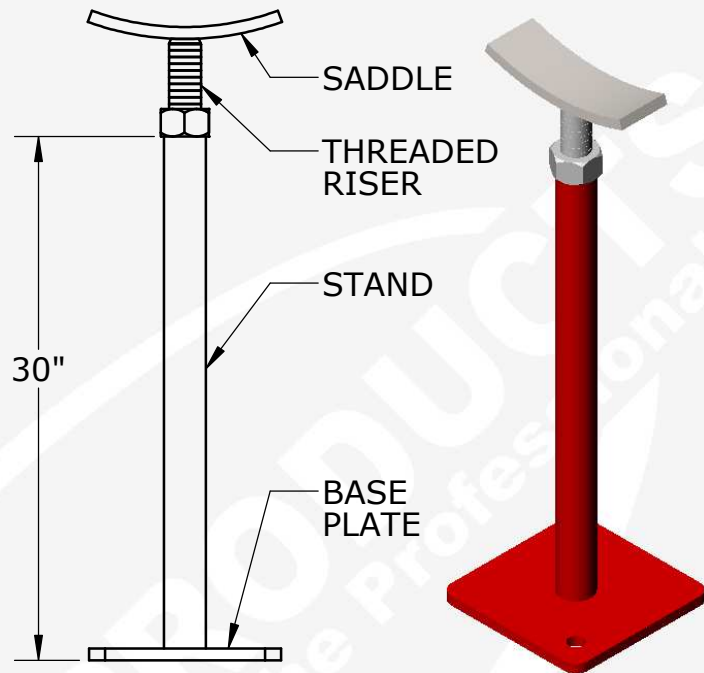
9" threaded riser provides 6" of adjustment.

30" tall base can be cut to length in the field as needed.

Size: Available in 3 standard sizes.

Material: Mild Steel

Finish: Zinc plated Saddle, threaded riser & nut for corrosion resistance. Base is available in standard powder coat red or optional hot-dipped galvanized finish.



Economy Series Pipe Supports

Part No.	Saddle	Stand	Base Plate	Threaded Riser
PS-100-S	0.375" X 2"	1" SCH. 40	0.375" X 6" SQ.	1" X 9"
PS-150-S	0.375" X 2"	1.5" SCH. 40	0.375" X 6" SQ.	1.5" X 9"
PS-200-S	0.375" X 3"	2" SCH. 40	0.375" X 6" SQ.	2" X 9"

DIMENSIONS ARE IN INCHES | DO NOT SCALE DRAWING | DRW: OSBORNE | REV. A