



# Square Stainless Steel Water Sampling Station

PART NUMBER  
**WTSQ-658SS**

**Features:** 180° flip top access lid with stainless steel hinge.

Alignment lock latch for district padlock.

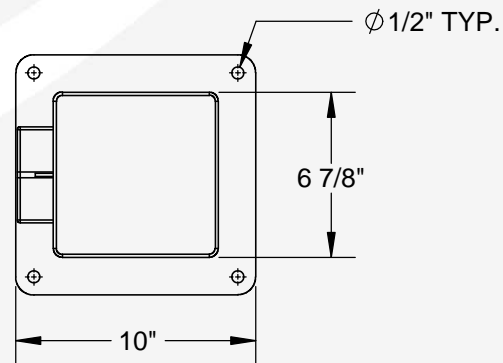
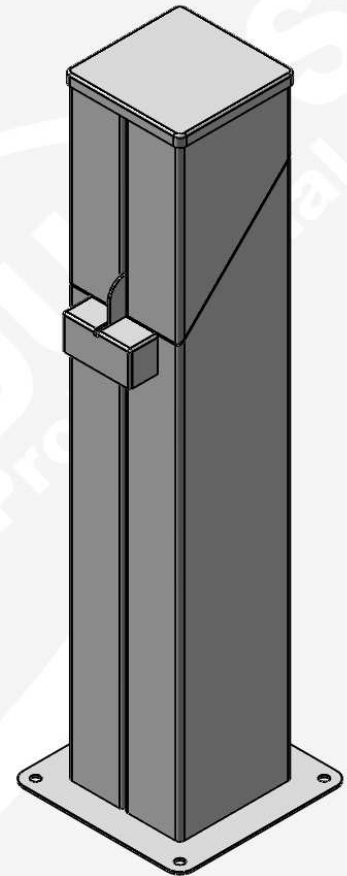
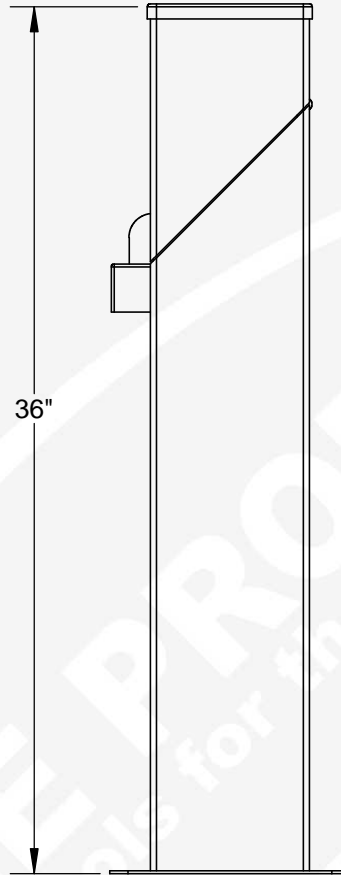
Included u-bolt for mounting pipe and valve riser.

Square mounting plate with 4 holes.

**Size:** 6.875" Square riser 36" tall.

**Material:** 304 Stainless Steel.

**Finish:** Bare metal



**DIMENSIONS ARE IN INCHES | DO NOT SCALE DRAWING | DRW: OSBORNE | REV. A**