

Features:

Pipeline Products provides built-to-order wall sleeves for wall penetrations and pass throughs.

Our standard sleeves are 12" long with a 1/4" x 2" weep ring, but custom lengths, diameters and weep ring sizes can be built on demand.

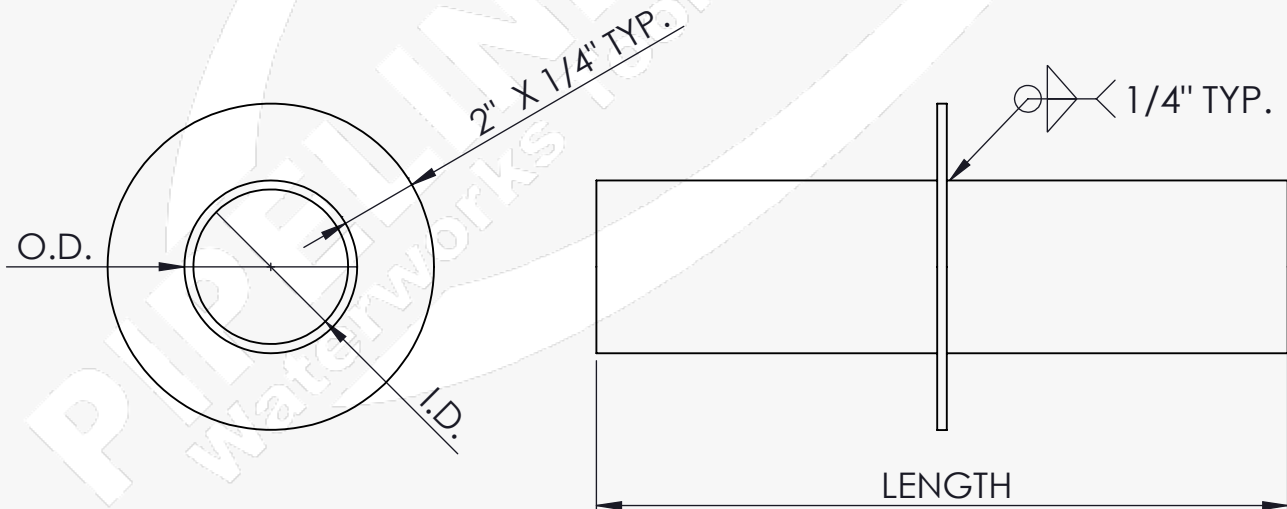
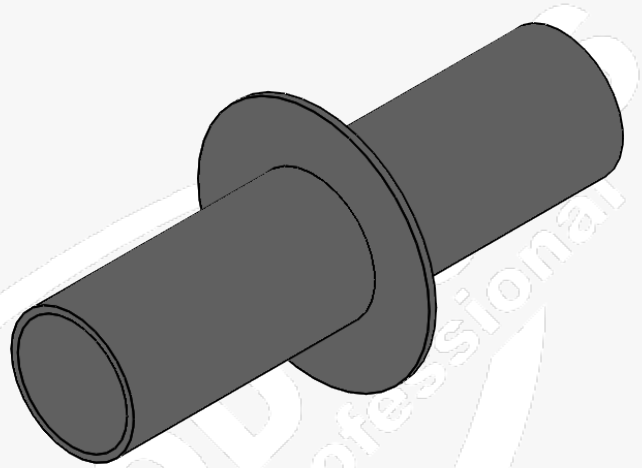
Material:

A53 SCH. 40 pipe for sleeves up to 10"

1/4" A36 mild steel for the 2" weep ring and for sleeves above 10" in diameter.

Finish:

Hot-Dip-Galvanized per ASTM A 123.



DIMENSIONS ARE IN INCHES | DO NOT SCALE DRAWING | DRW: JWO | REV. B