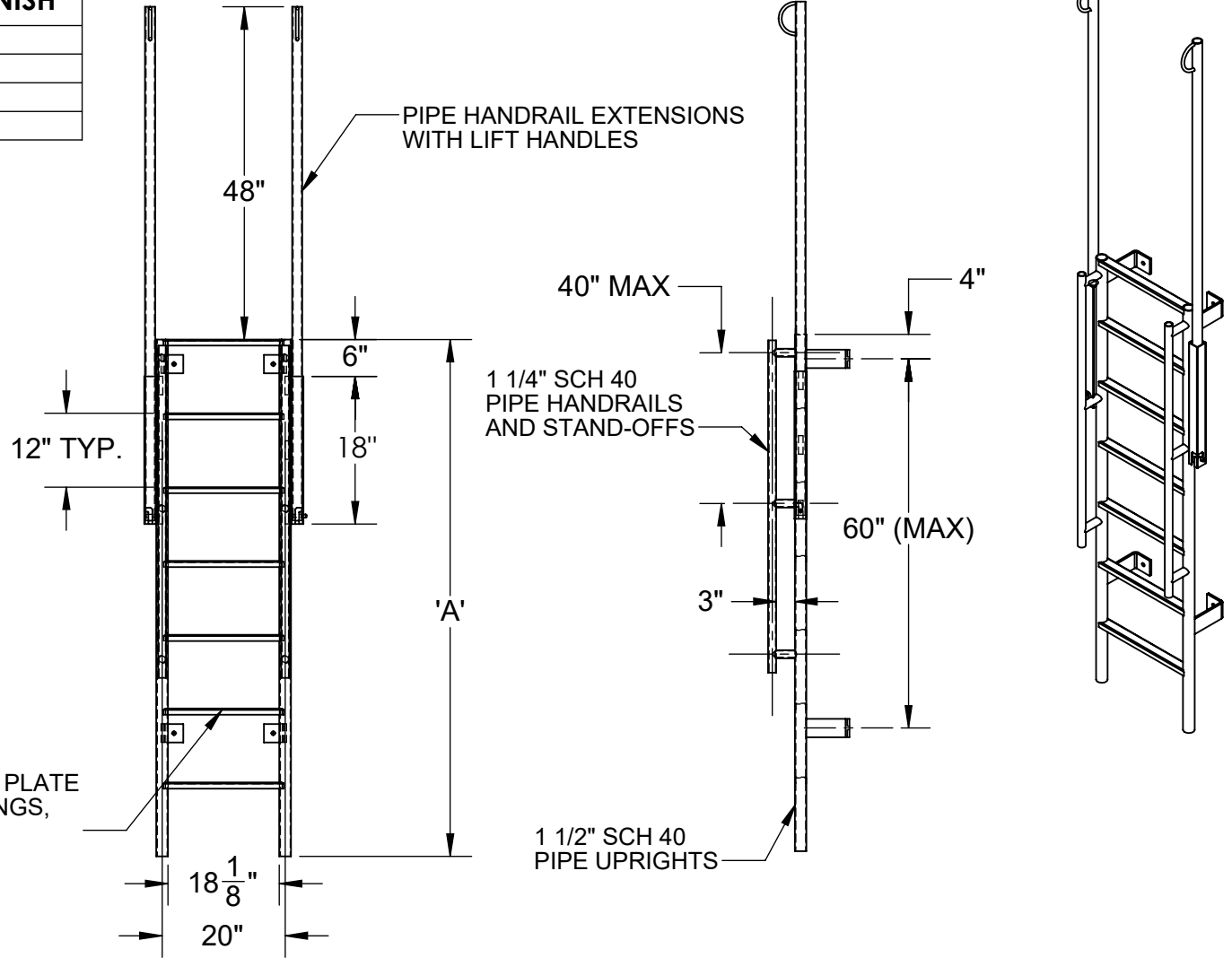
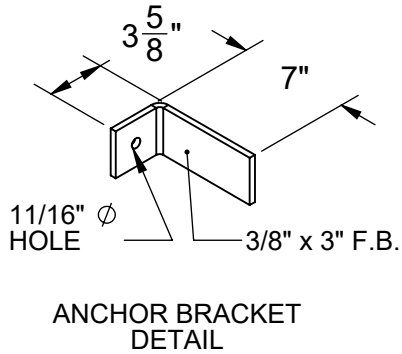


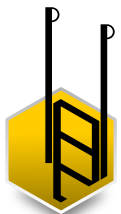
LENGTH 'A'	QTY	FINISH



NOTES:



Pipeline Products, Inc.
1650 Linda Vista Drive
San Marcos, CA 92078
sales@pipelineproducts.com
800-998-1079



Vault
Ladder.com

VL-100 Vault ladder with extendable handrails

APPROVED BY: _____ DATE: _____

CONTRACTOR TO VERIFY DIMENSIONS PRIOR TO FABRICATION