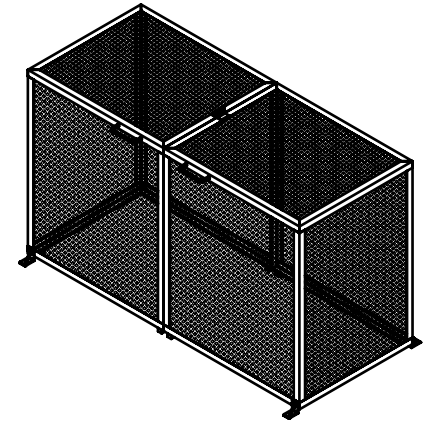
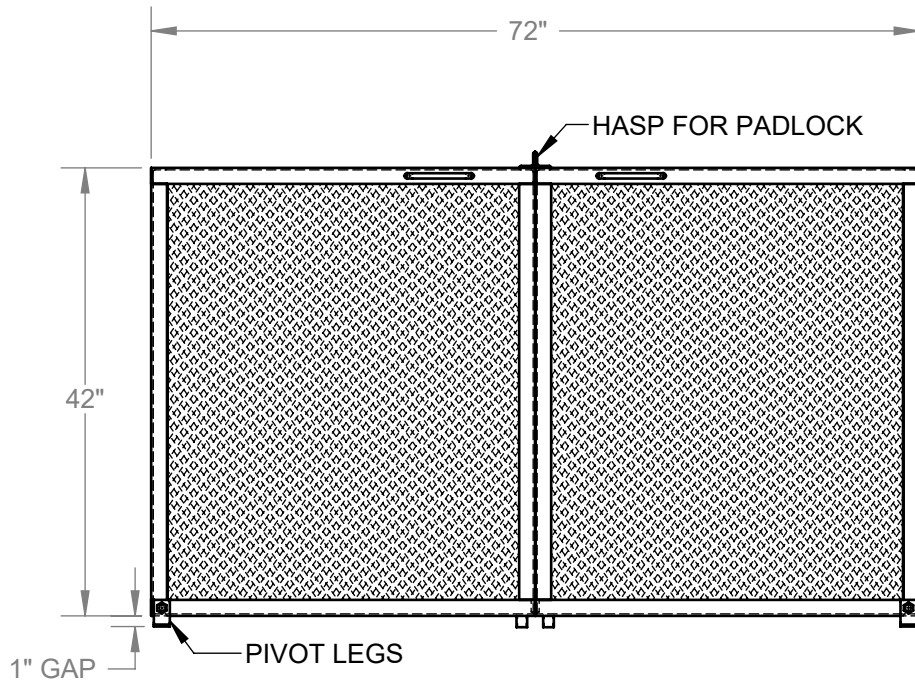


CUSTOM FABRICATED ITEM
 ITEM IS NON-RETURNABLE
 AND CANNOT BE CANCELED
 ONCE PLACED INTO PRODUCTION.



ISOMETRIC VIEW

X _____
 APPROVED BY
 DATE: _____



FRONT VIEW

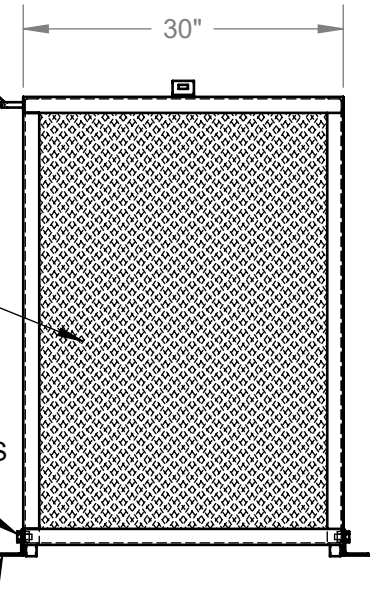
1/2" DIA. SOLID ROUND
 LIFTING HANDLE

3/4"-#9 FLATTENED
 EXPANDED METAL TACK
 WELD TO INSIDE ON ALL
 SIDES AND TOP

1 1/2" x 1 1/2" x 3/16"
 ANGLE FRAME

1/2" DIA. BOLTS
 (TYP)

2 1/2" x 2 1/2" x 1/4" x 1 1/2" WIDE
 ANGLE LEGS W/ 5/8" DIA. BOLT
 HOLES (4 TOTAL)



SIDE VIEW

NOTES:

1. SUPPLIED HOT-DIPPED GALVANIZED IN ACCORDANCE WITH ASTM A123 AFTER FABRICATION.
2. ALL MOUNTING HARDWARE SUPPLIED BY OTHERS.

DO NOT SCALE DRAWING	DRAWN: JO	TITLE:	3" & 4" VALVE BACKFLOW ENCLOSURE	SCALE: 1:18
DIMENSIONS ARE IN INCHES	PART NO: BFE-400-HDG			REV: A SHEET 1 OF 1