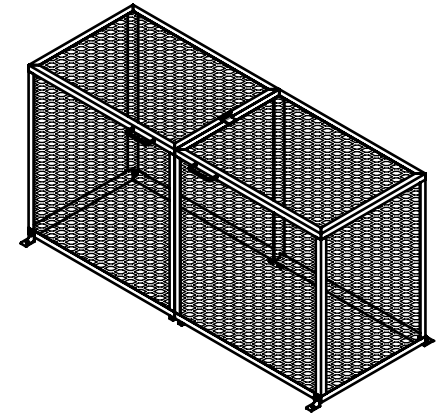
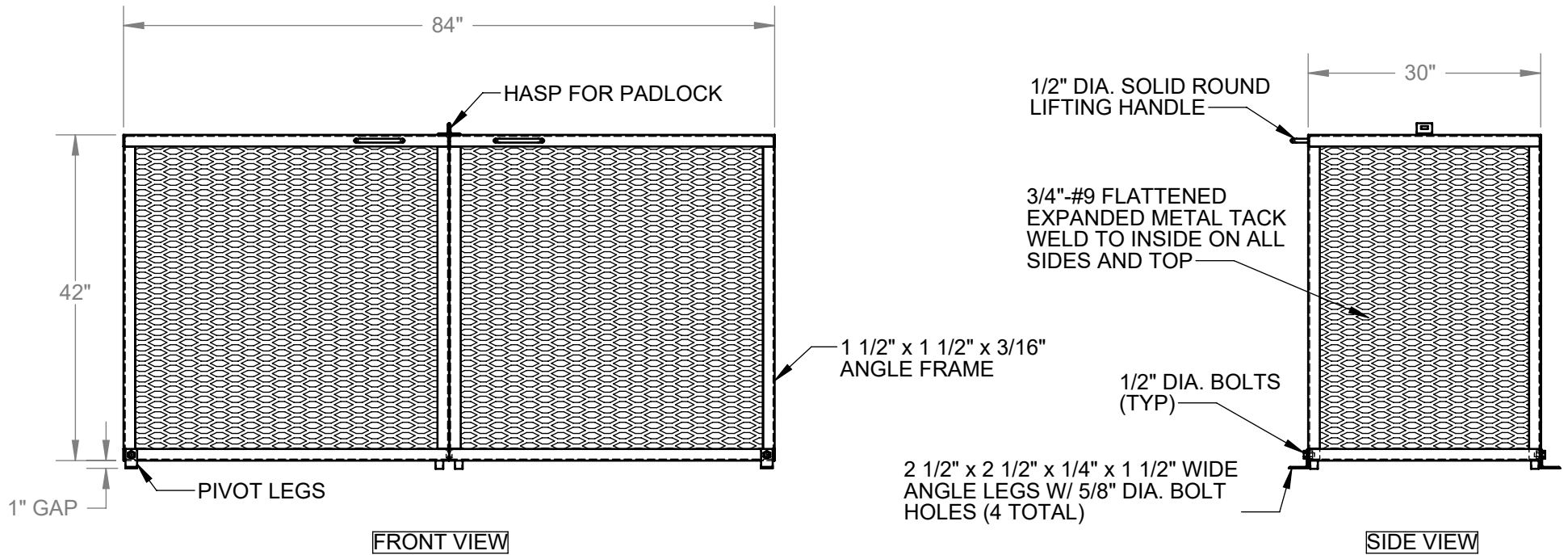


**CUSTOM FABRICATED ITEM**  
 ITEM IS NON-RETURNABLE  
 AND CANNOT BE CANCELED  
 ONCE PLACED INTO PRODUCTION.



ISOMETRIC VIEW

X \_\_\_\_\_ APPROVED BY  
 DATE: \_\_\_\_\_



**NOTES:**

1. SUPPLIED HOT-DIPPED GALVANIZED IN ACCORDANCE WITH ASTM A123 AFTER FABRICATION.
2. ALL MOUNTING HARDWARE SUPPLIED BY OTHERS.

DO NOT SCALE DRAWING	DRAWN: JO	TITLE: 6" VALVE BACKFLOW ENCLOSURE	SCALE: 1:20
DIMENSIONS ARE IN INCHES	<b>PART NO: BFE-600-HDG</b>	REV: A	SHEET 1 OF 1