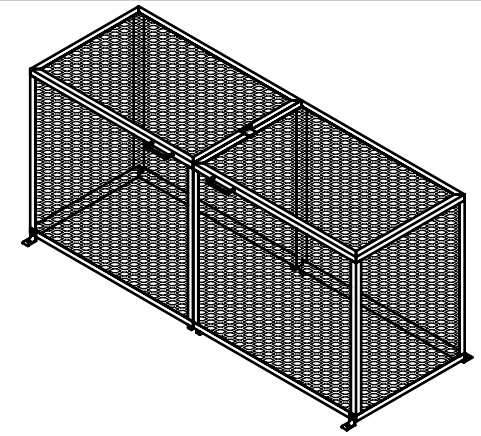


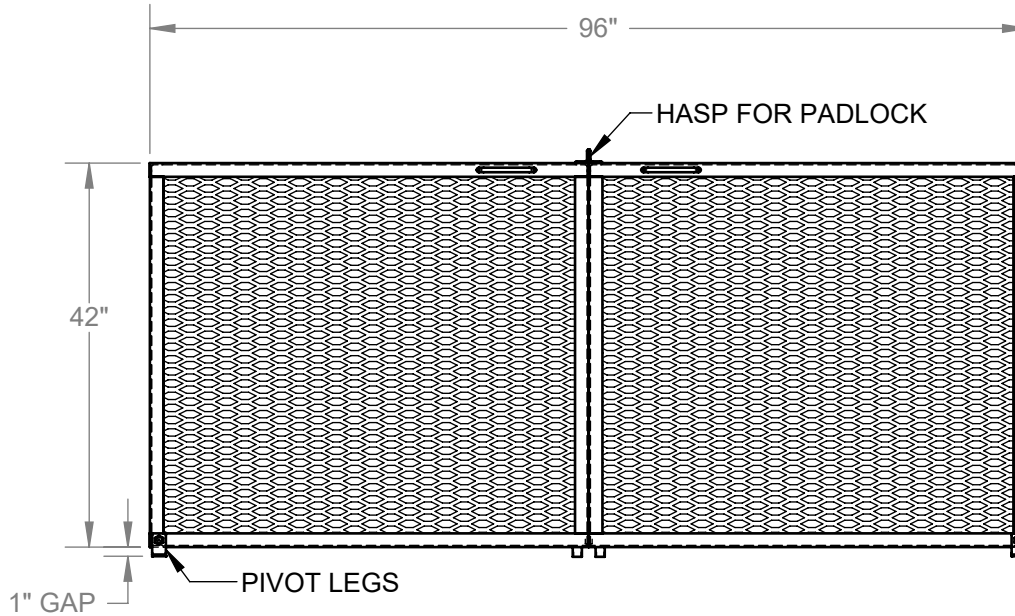
CUSTOM FABRICATED ITEM
 ITEM IS NON-RETURNABLE
 AND CANNOT BE CANCELED
 ONCE PLACED INTO PRODUCTION.



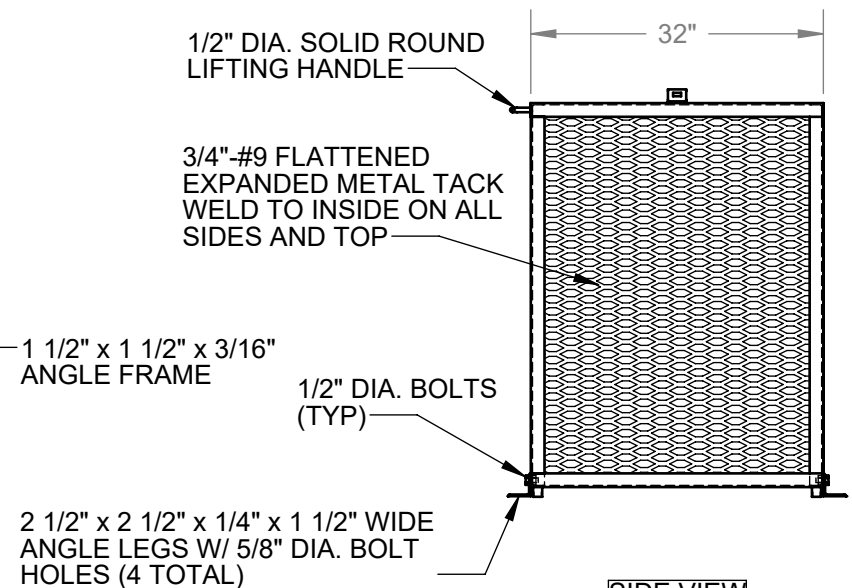
X _____
 APPROVED BY
 DATE: _____



ISOMETRIC VIEW



FRONT VIEW



SIDE VIEW

NOTES:

1. SUPPLIED HOT-DIPPED GALVANIZED IN ACCORDANCE WITH ASTM A123 AFTER FABRICATION.
2. ALL MOUNTING HARDWARE SUPPLIED BY OTHERS.

DO NOT SCALE DRAWING	DRAWN: JO	TITLE: 8" VALVE BACKFLOW ENCLOSURE	SCALE: 1:22
DIMENSIONS ARE IN INCHES	PART NO: BFE-800-HDG		REV: A SHEET 1 OF 1